



Two-Piece 2000 W.O.G Threaded End Ball valve

Model: EG-221R

Rating: 2000 CWP

Design feature:

- Applications for Hydraulic, Chemical, Steam, Oil/ Gas, Oxygen, Vacuum.
- Integral mounting pad easy for automation.
- Thrust washer prevents galling, reduces torque and provides secondary stem seal.
- Long cycle life, Low uniform torques.
- Adjustable stem packing gland nut.
- Double D Stem Head Design Provides Mounting Of The Lever.
- Bottom Entry Blow-Out Proof Stem design Provides Maximum Safety.
- Lock device handle is available.
- Tapped & drilled pad is option.
- Investment cast body construction.
- DIN EN10204-3.1 Certificate Available

Specifications:

- Construction: Two-piece screw in side-entry floating ball design.
- Flow bore: Regular port.
- Body Rating: 1/4"~1":2000 PSI;
1-1/4"~2":1500 PSI; 150 PSI Saturated Steam.
- Temperature: -20°F ~ 400°F (R.PTFE)
- Materials: ASTM CF8M,CF8, WCB
- Size range: 1/4"~2".

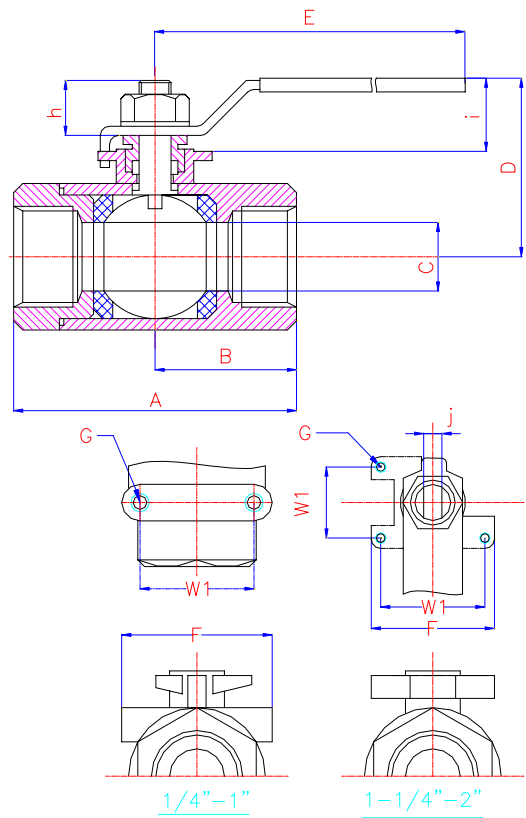
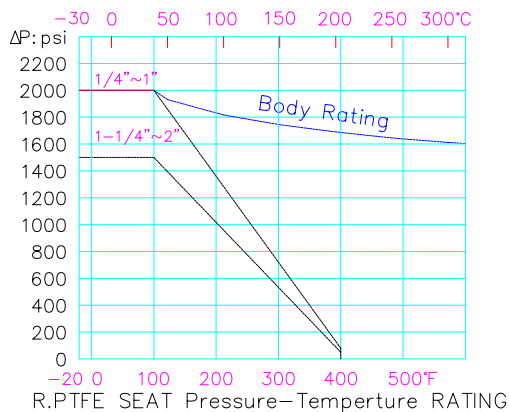
Standard:

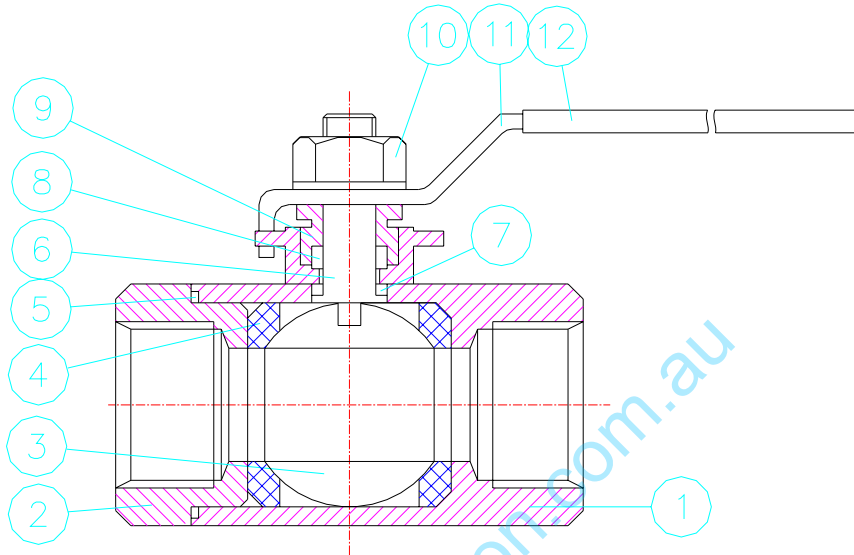
- Female pipe Threaded to NPT, DIN 259/2999, BS21..
- Inspection & testing according to API 598.
- PED 97/23/EC; ISO 9001

Dimension List :

SIZE	A	B	C	D	E	F	G (UNC)	H	I	J	W1	Weight
1/4	57	26	13	51	100	39	W3/16-24	11	35	5.2	28.2	0.32
3/8	57	26	13	51	100	39	W3/16-24	11	35	5.2	28.2	0.32
1/2	60	29	13	51	100	39	W3/16-24	11	35	34	28.5	0.32
3/4	79	38	17.5	62	123	46	W3/16-24	12	42	6.2	34.7	0.60
1	85	41	22.3	67	123	46	W3/16-24	12	42	6.2	34.7	0.80
1-1/4	102	51.5	25.6	84	144	50	W1/4-20	20	40	9.3	35.6	1.45
1-1/2	111	56	32	89	144	50	W1/4-20	20	42	9.3	35.6	1.88
2	137	68	38.3	94	180	50	W1/4-20	20	40	9.3	35.6	2.65

Metric thread holes available upon request. Please advise before placing order.





MATERIALS LIST:

NO	PART NAME	MATERIAL	NO	PART NAME	MATERIAL
1	BODY	CF8M/ CF8/ WCB	8	STEM PACKING	PTFE
2	END CAP	CF8M/ CF8/ WCB	9	GLAND NUT	SS304
3	SOLID BALL	CF8M	10	HANDLE NUT	SS304
4	BALL SEAT	R.PTFE	11	HANDLE	SS304
5	BODY SEAL	PTFE	12	HANDLE SLEEVE	VINYL
6	STEM	SS316	13		
7	THRUST WASHER	PTFE	14		